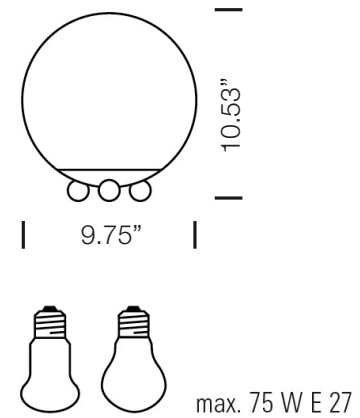


# masters of modernism



Art Deco Table Lamp - France, circa 1930

AD-32 Chr/Chr

Chrome plated metal parts, opaque glass.

AD-32 Chr/M

Chrome plated metal, polished and varnished brass bases, opaque glass.

Each lamp is consecutively numbered and bears this logo: TECNOLUMEN

