

# masters of modernism

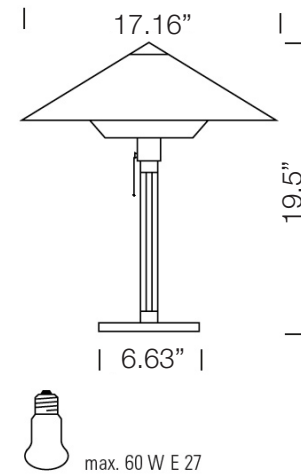


Table Lamp - Wilhelm Wagenfeld, 1928

## WG 28

While working at the Building Engineering College in Weimar, Wilhelm Wagenfeld created these floor and table lamps with fabric lamp shades. The visual similarity to the Bauhaus table lamps demonstrates Wagenfeld's constant desire to refine and experiment with his designs.

Sole copyright and authorized edition by Prof. Wilhelm Wagenfeld.

Nickel plated metal, glass tube, glass base, chintz covered shade with conical shade support.

Each lamp is consecutively numbered and bears this logo: TECNOLUMEN



# masters of modernism

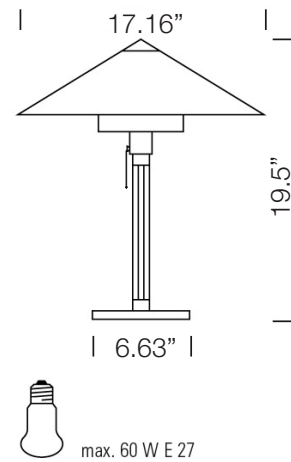


Table Lamp - Wilhelm Wagenfeld, 1927

WG 27

Sole copyright and authorized edition by Prof. Wilhelm Wagenfeld.

Nickel plated metal, glass tube, glass base, chintz covered shade with straight shade support.

Each lamp is consecutively numbered and bears this logo: TECNOLUMEN

